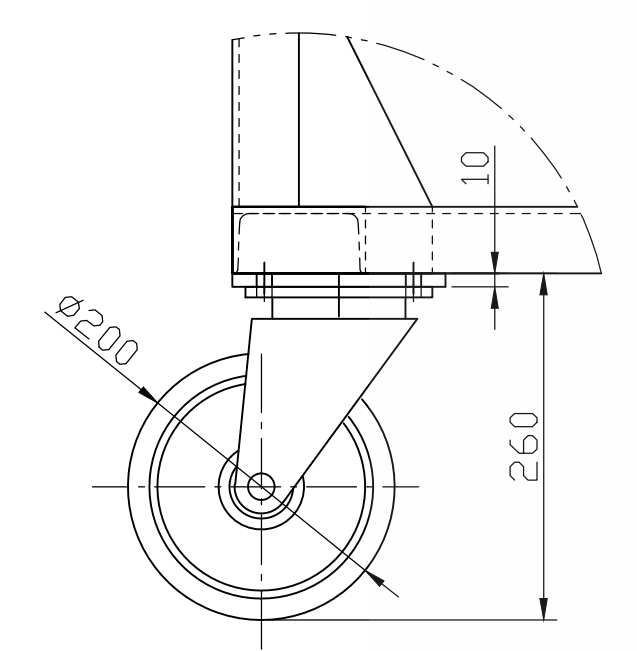
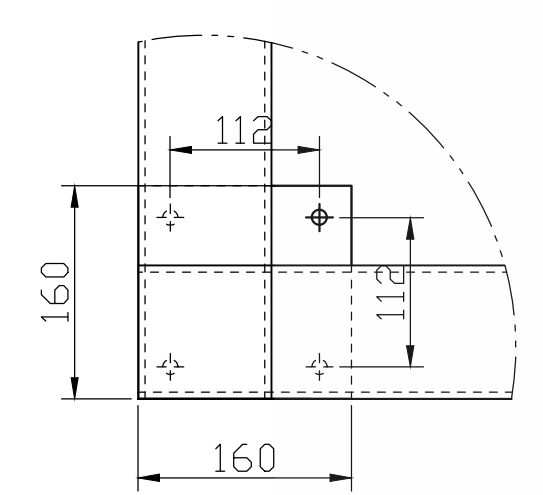
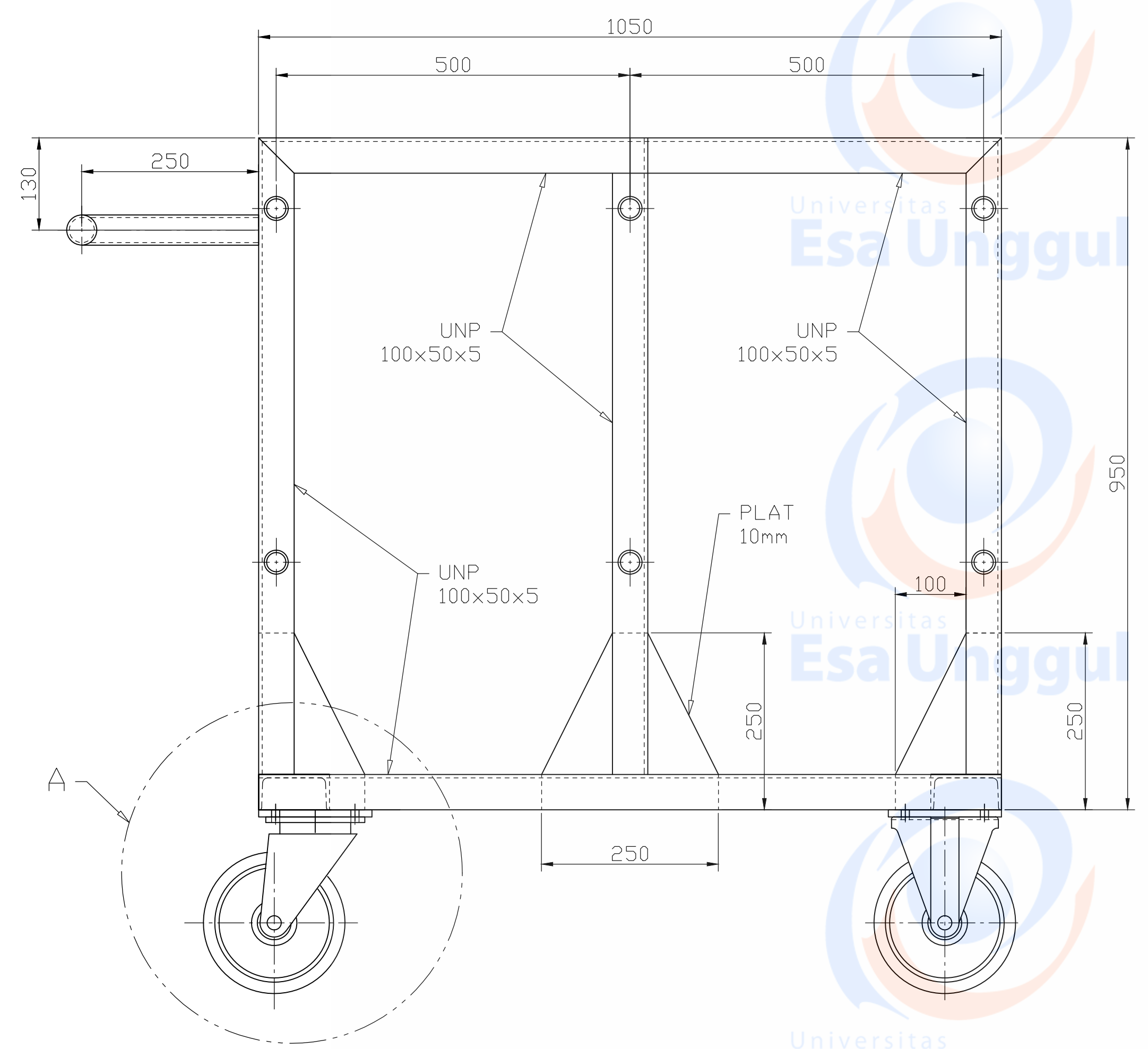
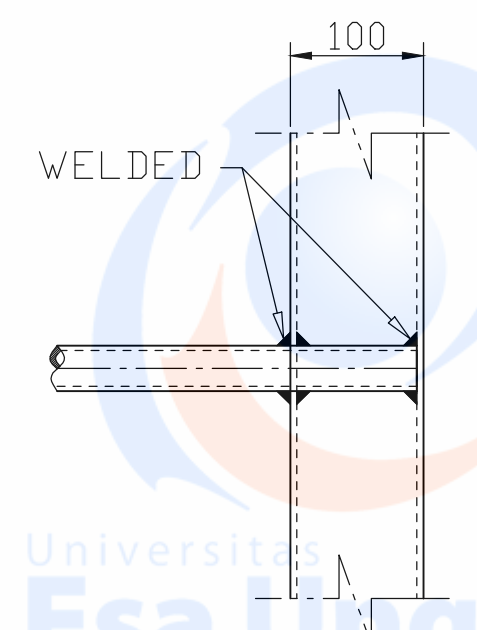


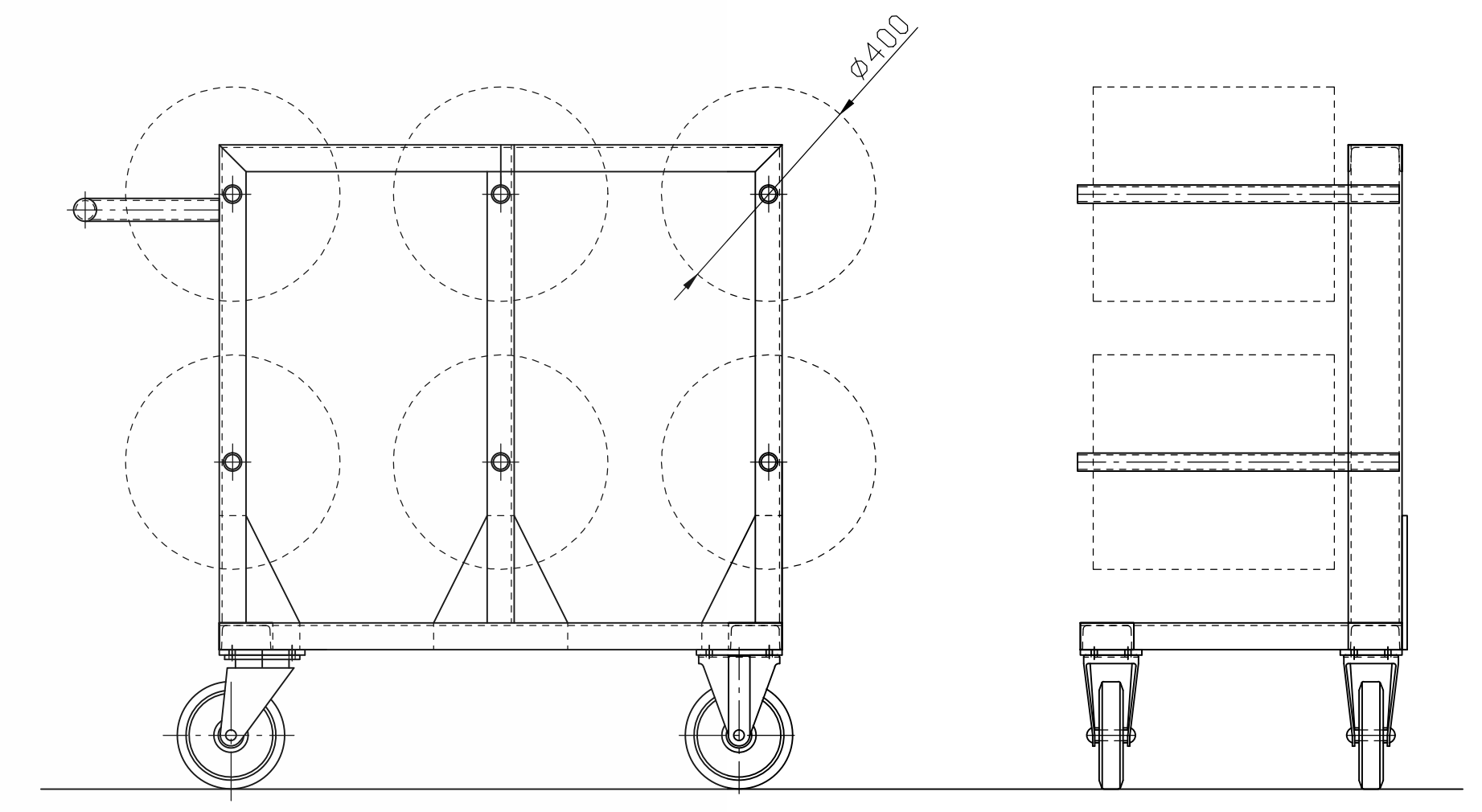
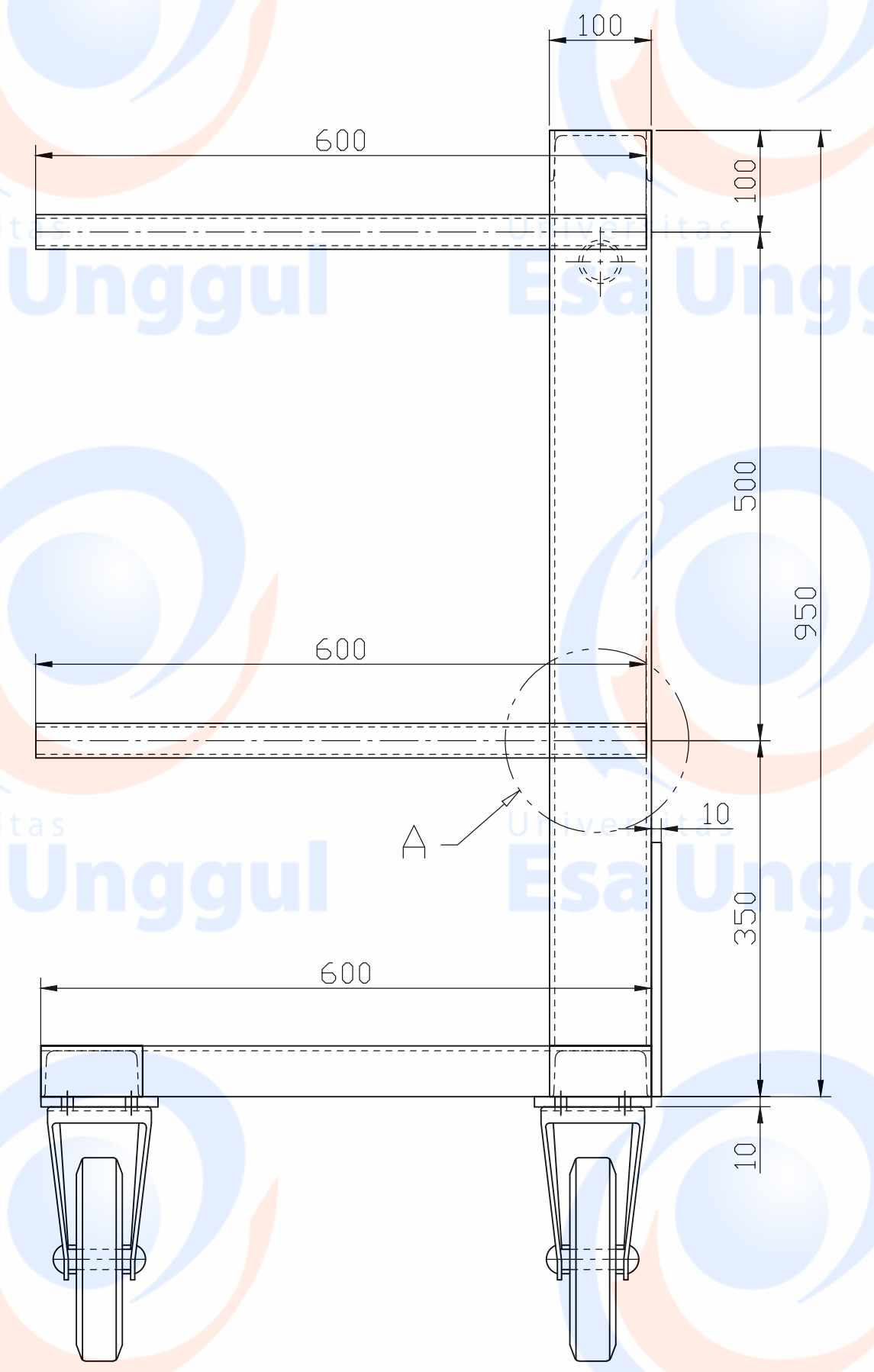
1 ASSEMBLY LORRY
DES, 1 SET
SKALA 1:8



DETAIL A
SKALA 1:8



DETAIL B
SKALA 1:8



ASSEMBLY LORRY
SKALA 1:16

- 2 WHEEL PJS-200
(8")-SWIFEL WITH STOPER
- 3 WHEEL K-200
(8") - FIX

NOTE: FINISHING CAT BIRU

ITEM	DESCRIPTION	MATERIAL	QUANTITY	REMARKS
3	SWIFEL WHEEL	-	2 Pcs	-
2	FIX WHEEL	-	2 Pcs	-
1	LORRY FRAME	SS41	1 Pc	-
MESSAGERS			FILENAME	
DRAWING NAME		LORRY PLY M/C		
DESIGNED BY		DRAWING NO.	7-F-1821-M-01	
DRAWN BY	DENI	DATE	21 JANUARI 2008	
CHECKED BY		SCALE	1:8, 1:16	
APPROVED BY		SHEET NO.	DENI	

REV. NO	DESCRIPTION	REVISED BY	CHECKED BY	APPROVED BY
USER KNOWN	REVISIONS			

PT GAJAH TUNGGAL Tbk

THIS DRAWING IS THE PROPERTY OF PT GAJAH TUNGGAL Tbk. AND IS LOANED WITH THE EXPRESSED AGREEMENT THAT THE DRAWINGS AND INFORMATION THEREIN CONTAINED ARE THE PROPERTY OF PT GAJAH TUNGGAL Tbk. AND WILL NOT BE USED IN WHOLE OR PART TO ASSIST IN MAKING OR TO FURNISH ANY INFORMATION FOR THE MAKING OF DRAWINGS, PRINT, OR OTHER REPRODUCTION THEREOF, OR FOR THE MAKING OF APPARATUS OR PARTS THEREOF, EXCEPT UPON WRITTEN PERMISSION OF PT GAJAH TUNGGAL Tbk. FIRST OBTAINED AND SPECIFIC AS TO EACH CASE. THE ACCEPTANCE OF THIS DRAWING WILL BE CONSTRUED AS AN ACCEPTANCE OF THE FOREGOING AGREEMENT.